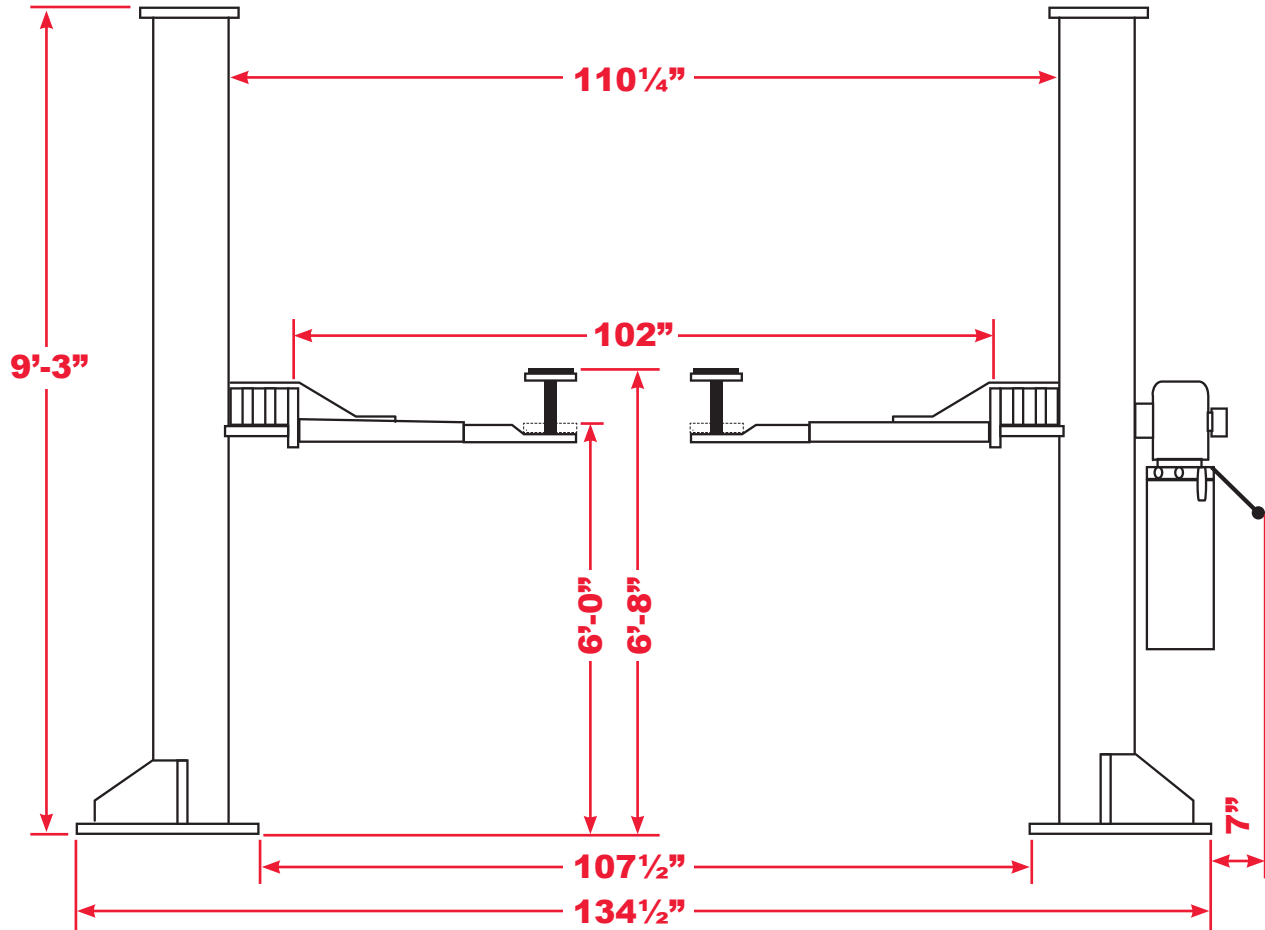


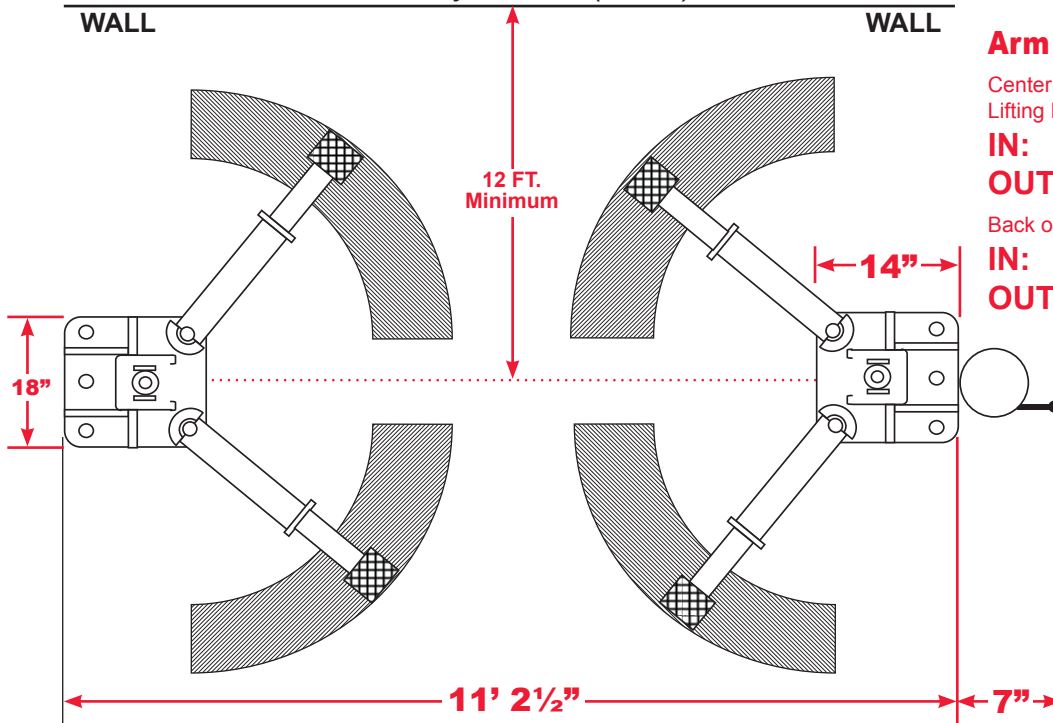
CJ 10,000 BP Side View - Symmetric or Assymmetric



See next page for overhead view and more specifications.

All measurements are approximate • Drawings are not to scale • Overall lift height is 9' 3" tall

CJ 10,000 BP Symmetric (50/50)



Arm Dimensions:

Center of Pin to Center of Lifting Pad Measurements:

IN: 32"

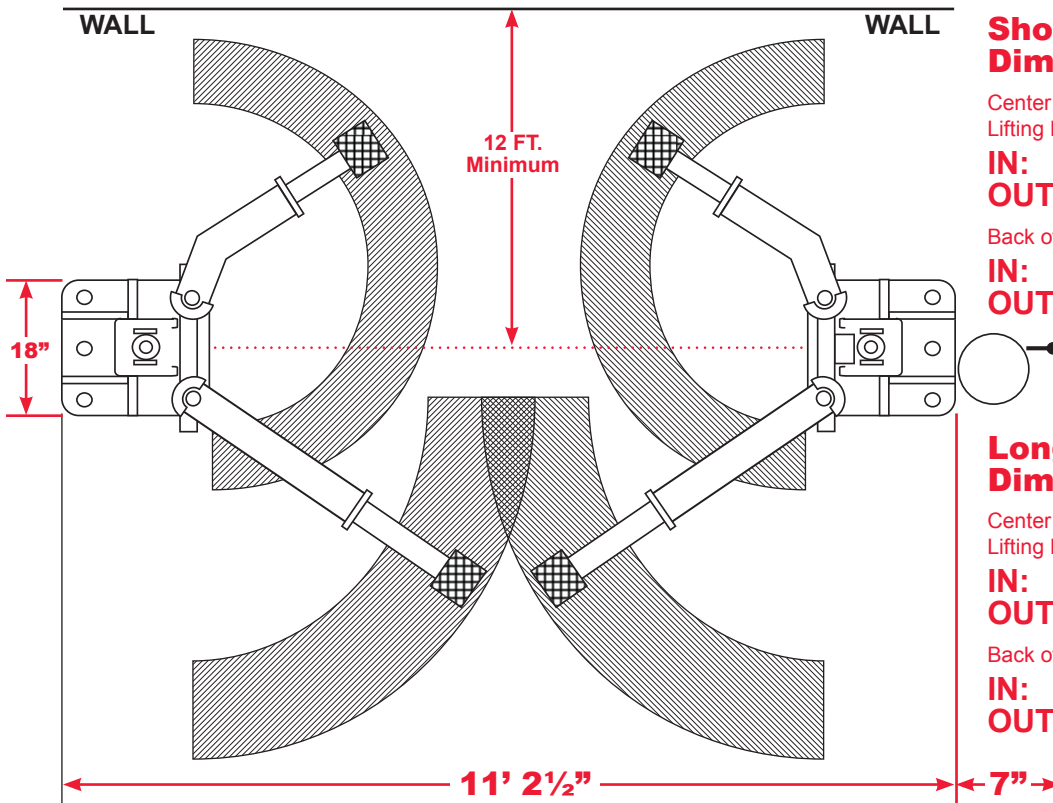
OUT: 45"

Back of Arm to Front of Arm:

IN: 36 1/4"

OUT: 49 1/2"

CJ 10,000 BPA Asymmetric (30/70)



Short Arm Dimensions:

Center of Pin to Center of Lifting Pad Measurements:

IN: 29 1/2"

OUT: 40 1/4"

Back of Arm to Front of Arm:

IN: 33"

OUT: 44 1/2"

Long Arm Dimensions:

Center of Pin to Center of Lifting Pad Measurements:

IN: 39"

OUT: 57 1/2"

Back of Arm to Front of Arm:

IN: 44"

OUT: 62"

All measurements are approximate • Drawings are not to scale • Overall lift height is 9' 3" tall