

13' 10" Setting

14' 7" Setting

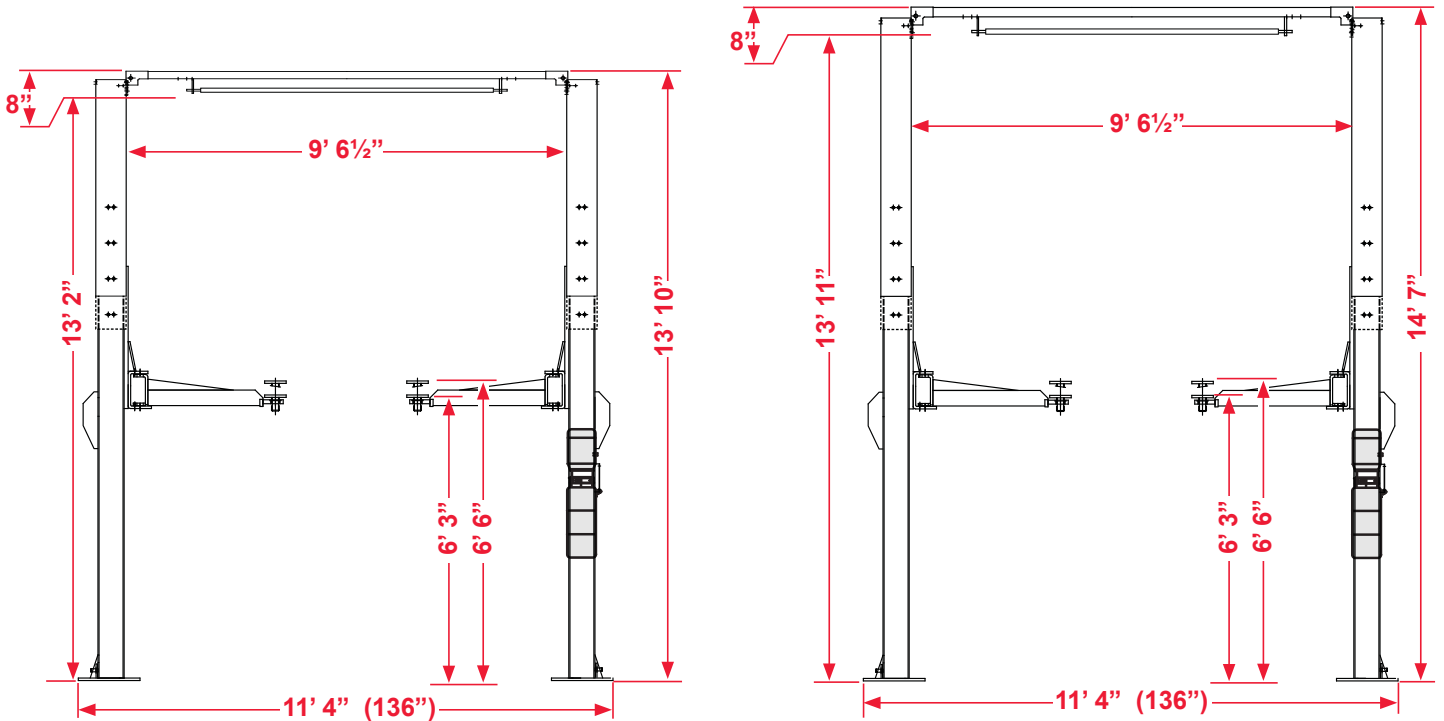


FIGURE 1 (Specification Drawings)

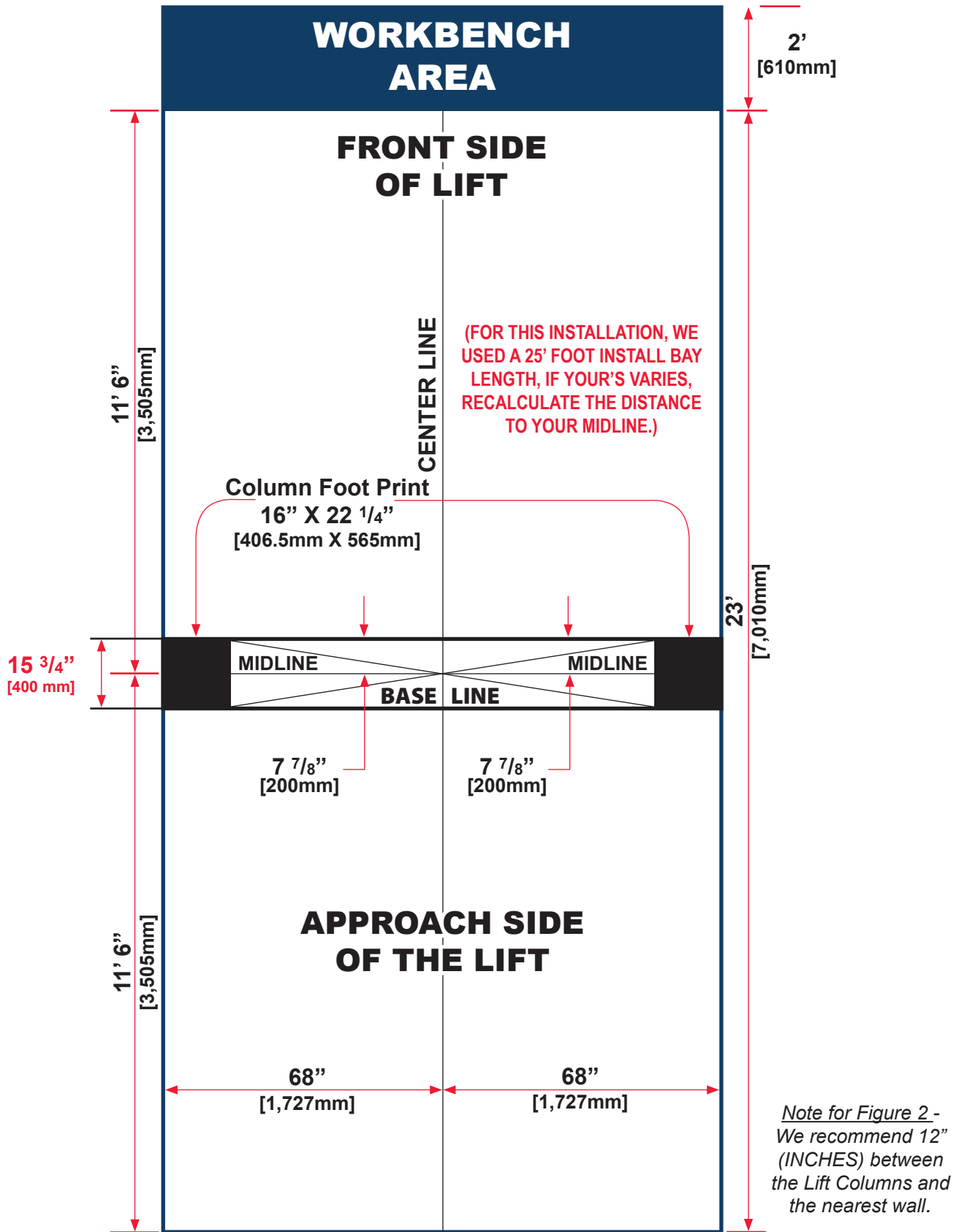


FIGURE 2 (Layout Drawing)