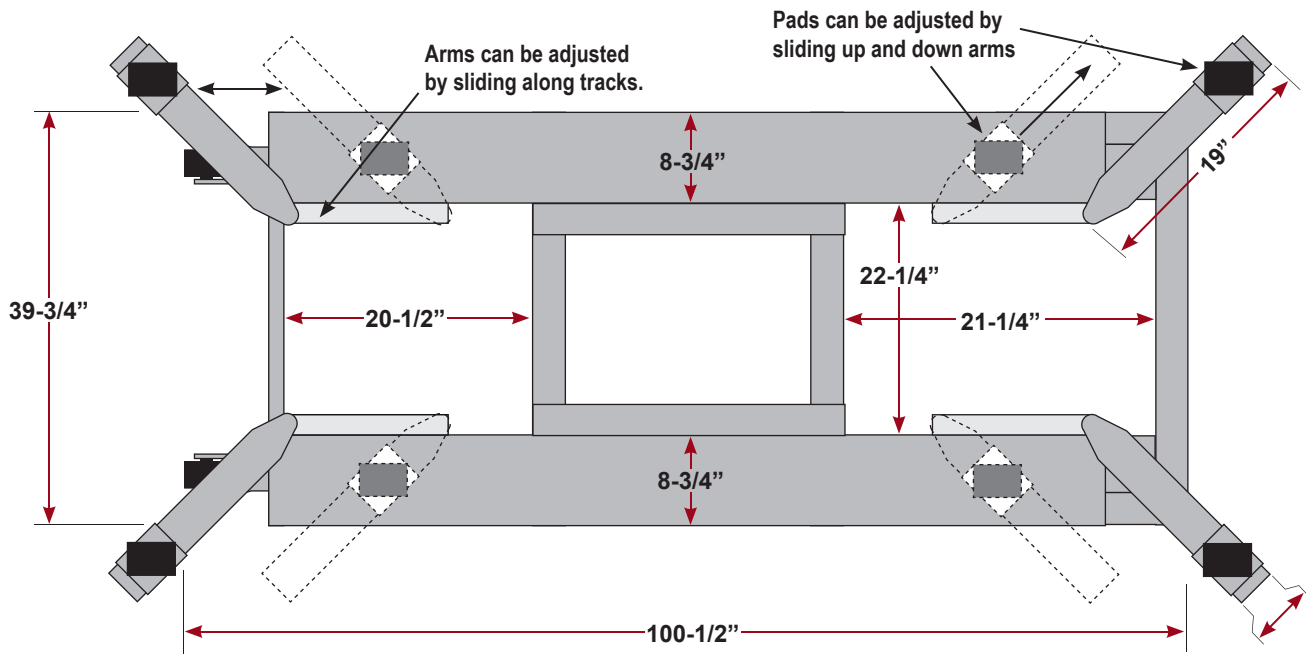


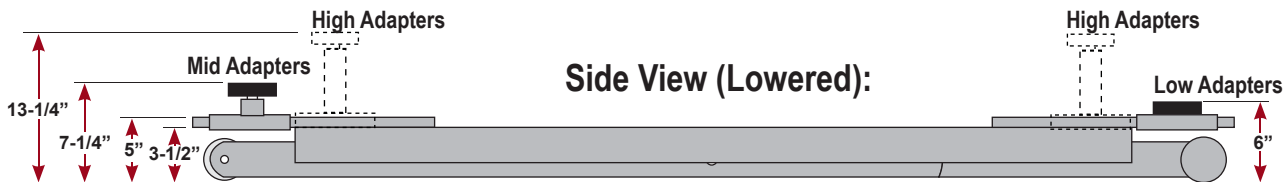
1.2 Dimensional Diagram

DIMENSIONS TCPL-6

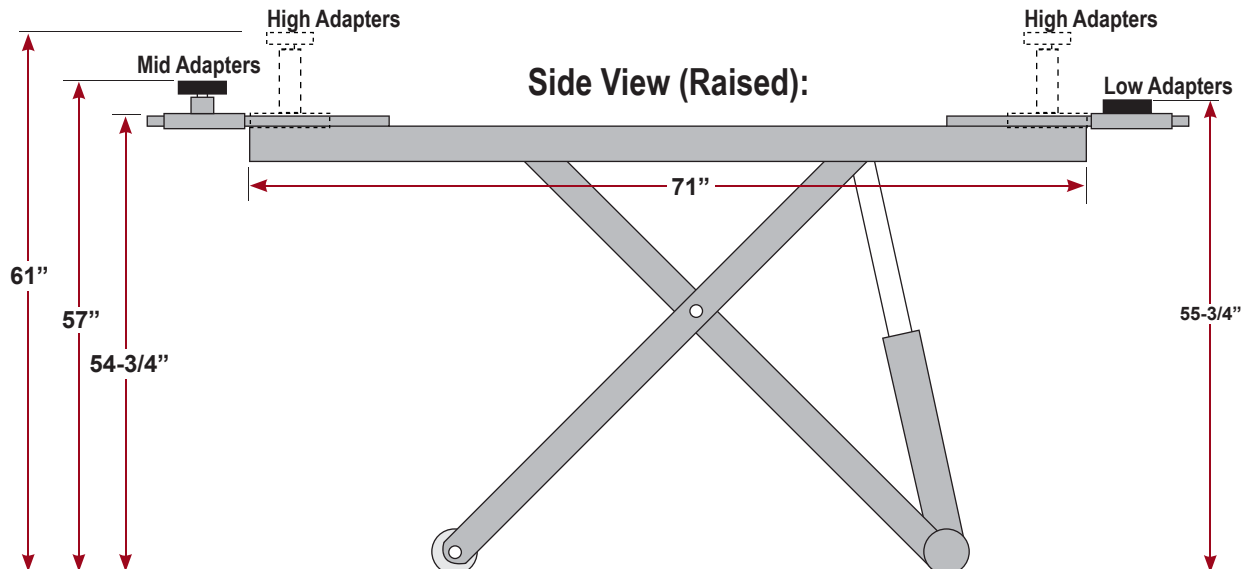
Top View (Lowered):



Side View (Lowered):



Side View (Raised):



1.3 Product Specifications

The required electrical Power Cord Plug for this product is a grounded, 110 volt, 3 - prong plug. Never remove the grounding prong or modify the plug in any way. Do not use adapter plugs with this product .When in use, make sure this product is always plugged into a grounded, 110 volt, 3 - hole electrical receptacle with an appropriate breaker switch in-line.

<i>Item</i>	DESCRIPTION
	61"
Weight Lifting Capacity	6,000 Pounds (3,175 kg)
Lift Height	61" HEIGHT w/ (High Adapters)
Rating Pressure	Less Than 2,900 psi
Pump Type	Hydraulic /Electric w /Steel Dolly
Hydraulic Pump Oil Capacity	2 Gallons
Hydraulic Pressure Oil	Wearable Of Hydraulic Pressure Oil [Viscosity 32 - 46 cst mm ² /s At 40]
Working Condition Temperature	41° F - 104° F
Working Condition Humidity	30% - 80%
Working Height Above Sea Level	MAX 1000 m
Transport / Storage Temperatures	-13° F - 131° F
Electrical Requirements	1 HP
	Single Phase
	110 V
	60 Hz
	3 - Prong Power Plug